

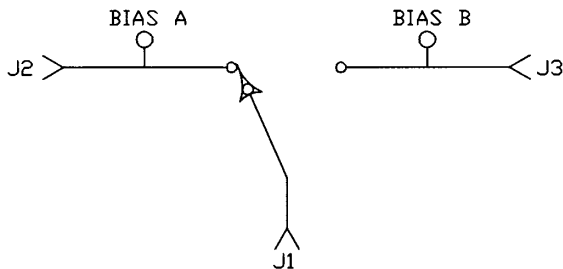
**DESCRIPTION:**

AMC MODEL SWN-218-2DT-STANDARD OPTIONS 23, HPR1W, SHL IS A SINGLE POLE TWO THROW, ABSORPTIVE/NON-REFLECTIVE SWITCH MODULE WITH VERY LOW INSERTION LOSS, LOW ISOLATION AND WITH INTEGRAL TTL DRIVER, DESIGNED FOR NARROW BAND OPERATIONS.

**SPECIFICATIONS:**

- FREQUENCY: ..... 2.0 GHz TO 3.0 GHz
- INSERTION LOSS: ..... -1.5 dB MAXIMUM, 1.3 dB TYPICAL
- ISOLATION: ..... -40 dB MINIMUM
- VSWR: ..... ABSORPTIVE IN/OUT: 2.0:1  
 ABSORPTIVE OUT/OFF: 2.0:1
- SPEED: ..... RISE: 15 nS  
 FALL: 15 nS  
 DELAY ON: 100 ns MAXIMUM  
 DELAY OFF: 100 ns MAXIMUM
- POWER INPUT: ..... (CW)+20dBm (STANDARD), +10 dBm (HIGH SPEED)
- RF POWER: ..... 1 WATT CW MAXIMUM
- CONTROL: ..... TTL LOGIC "0"= J1-J2 ON "1"= J1-J3 ON
- POWER SUPPLY: ..... +5V @ 100 mA MAXIMUM  
 -5V @ 100 mA MAXIMUM
- CONNECTORS:  
 RF SMA FEMALE  
 CONTROL SOLDER PIN
- SIZE: ..... 1.20" (L) x 1.00" (W) x 0.50" (H)
- WEIGHT: ..... 1.5 OUNCE TYPICAL

**BLOCK DIAGRAM**



**ENVIRONMENTAL RATINGS:**

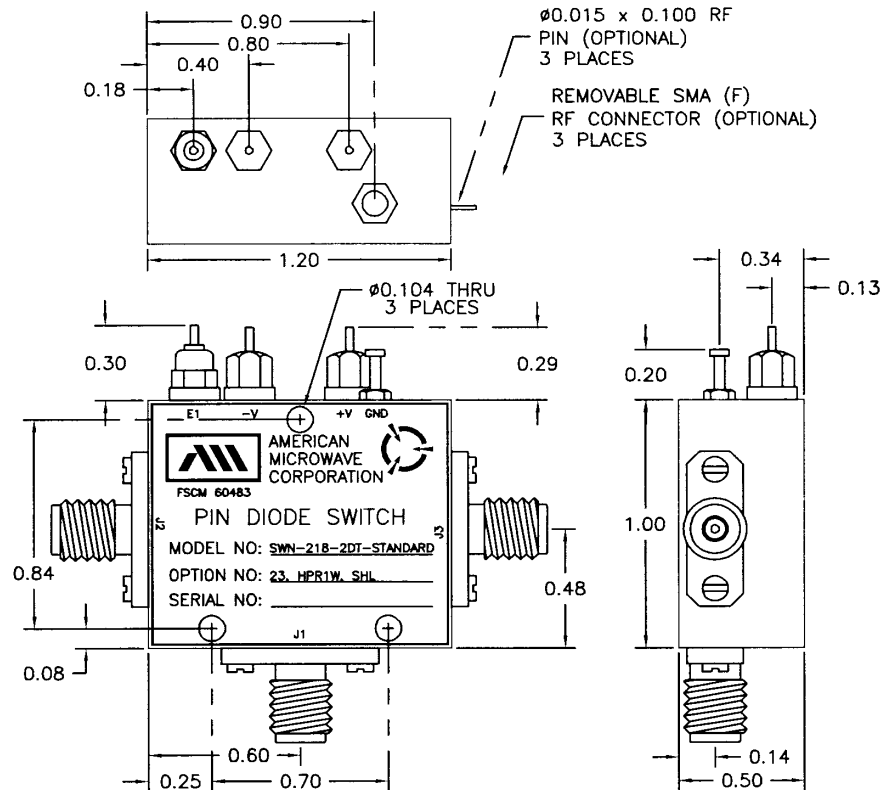
- TEMPERATURE: ..... -55°C TO +85°C (OPERATING)  
 -65°C TO +125°C (STORAGE)
- HUMIDITY: ..... MIL-STD-202F, METHOD 103B COND. B
- SHOCK: ..... MIL-STD-202F, METHOD 213B COND. B
- VIBRATION: ..... MIL-STD-202F, METHOD 204D COND. B
- ALTITUDE: ..... MIL-STD-202F, METHOD 105C COND. B
- TEMPERATURE CYCLE: ..... MIL-STD-202F, METHOD 107D COND. A

NOTE: THE ABOVE SPECIFICATIONS ARE SUBJECT TO CHANGE OR REVISION

ALL DIMENSIONS ARE IN INCHES  
 TOLERANCES:  
 X.XX ±0.010  
 X.XXX ±0.005

REVISIONS				
ZONE	REV.	DESCRIPTION	DATE	APPROVED
-	-	ORIGINAL RELEASE, JOB# 003045E	11/06/09	

**MECHANICAL OUTLINE**



**CONFIDENTIAL AND PROPRIETARY**

APPROVALS		DATE	AMERICAN MICROWAVE CORPORATION FREDERICK, MARYLAND	
DRAWN		11/06/09	TITLE	
CHECKED			PRODUCT FEATURE	
ISSUED			SWN-218-2DT-STANDARD OPTIONS 23, HPR1W, SHL	
SIZE	FSCM NO.	DWG NO.	REV.	
A	60483	100-6838	-	
SCALE N:S			SHEET 1 of 3	